



Applications

Satellite
 Launcher
 Space station
 Shuttle hardware

Standards

ESA/SCC 3401/044/MIL-DTL-38999
 class G (QPL)



Circular connectors with removable crimp contacts

ESA/SCC 3401/044 are used with 3401/045 crimp contacts. This series is suitable for Flight Models.

8TS Series uses the same components as 3401/044 it is derived from. They are delivered without traceability and LAT testing which often complies with Engineering Models requirements.

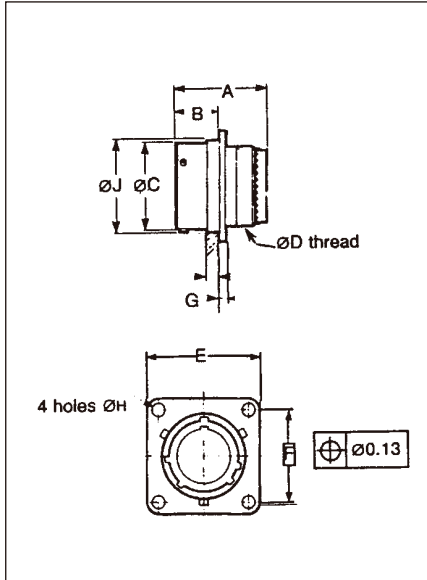
Part Number / Ordering information

SCC specification number	3401 044	01	B	03	12	35	P	N	L
Type of variant ESA not to be modified									
B testing level not to be modified									
Shell type 03 : square flange receptacle (rear mounting) 06 : plug (without grounding) 06G : plug («G» for grounding) 07 : single hole mounting receptacle									
Shell size 08 - 10 - 12 - 14 - 16 - 18 - 20 - 22 - 24									
Contact arrangement (see table page 83)									
Contact type P : pin S : socket									
Clocking position N : normal (standard clocking position) Other positions : A, B, C & D									
L : connectors ordered without contacts («L» is not marked on the connector) connectors are only supplied less contacts									

8TS Series	8TS	03	12	35	P	N	L
Shell type 03 : square flange receptacle (rear mounting) 06 : plug (without grounding) 06G : plug («G» for grounding) 07 : single hole mounting receptacle							
Shell size 08 - 10 - 12 - 14 - 16 - 18 - 20 - 22 - 24							
Contact arrangement (see table page 83)							
Contact type P : pin S : socket							
Clocking position N : normal (standard clocking position) Other positions : A, B, C & D							
L : connectors ordered without contacts («L» is not marked on the connector) connectors are only supplied less contacts							

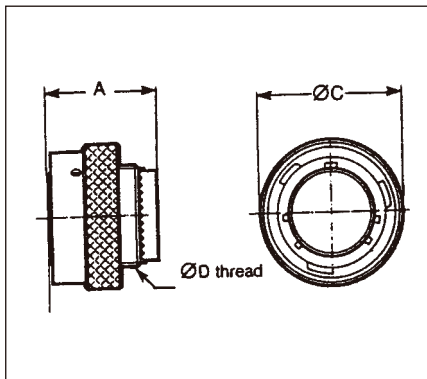


Type 03 : Square flange receptacle (back mounting)



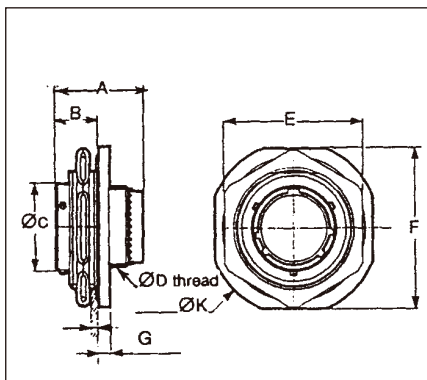
Shell size	08	10	12	14	16	18	20	22	24
A Max	25,37 .999	25,37 .999	25,37 .999	25,37 .999	25,37 .999	25,37 .999	25,37 .999	25,37 .999	27,10 1.067
B Max	11,35 .447	11,35 .447	11,35 .447	11,35 .447	11,35 .447	11,35 .447	11,35 .447	11,35 .447	11,35 .447
C Max	12,04 .474	15,02 .591	19,08 .751	22,25 .876	25,43 1.001	28,61 1.126	31,78 1.251	34,95 1.376	38,13 1.501
D UNEF-2A	.4375- 28	.5625- 24	.6875- 24	.8125- 20	.9375- 20	1.0625- 18	1.1875- 18	1.3125- 18	1.4375- 18
E Max	21,03 .828	24,23 .954	26,59 1.047	28,98 1.141	31,34 1.234	33,73 1.238	36,91 1.453	40,08 1.578	43,26 1.703
F	15,09 .594	18,26 .719	20,62 .812	23,01 .906	24,61 .969	26,97 1.062	29,36 1.156	31,75 1.250	34,93 1.375
G Max	1,75 .069	1,75 .069	1,75 .069	1,75 .069	1,75 .069	1,75 .069	1,75 .069	1,75 .069	1,75 .069
H Max	3,30 .130	3,30 .130	3,30 .130	3,30 .130	3,30 .130	3,30 .130	3,30 .130	3,30 .130	3,30 .130
J Max	13,89 .547	17,07 .672	21,44 .844	24,61 .969	27,79 1.094	30,96 1.219	34,14 1.344	37,31 1.469	40,49 1.594
L Max	3,71 .146	3,71 .146	3,71 .146	3,71 .146	3,71 .146	3,71 .146	4,27 .168	4,27 .168	4,27 .168

Type 06 and 06G : Plug



Shell size	08	10	12	14	16	18	20	22	24
A Max	23,27 .916	23,27 .916	23,27 .916	23,27 .916	23,27 .916	23,27 .916	23,27 .916	23,27 .916	25,00 .984
C Max	19,05 .750	21,82 .859	26,19 1.031	29,36 1.156	32,54 1.281	35,71 1.406	38,89 1.531	41,68 1.641	44,86 1.766
D UNEF-2A	.4375- 28	.5625- 24	.6875- 24	.8125- 20	.9375- 20	1.0625- 18	1.1875- 18	1.3125- 18	1.4375- 18

Type 07 : Single hole mounting receptacle



Shell size	08	10	12	14	16	18	20	22	24
A Max	26,48 1.043	26,48 1.043	26,48 1.043	26,48 1.043	26,48 1.043	26,48 1.043	26,32 1.036	26,32 1.036	27,67 1.089
B Max	11,26 .443	11,26 .443	11,26 .443	11,26 .443	11,26 .443	11,26 .443	11,92 .469	11,92 .469	11,92 .469
C Max	12,04 .474	15,02 .591	19,08 .751	22,25 .876	25,43 1.001	28,61 1.126	31,78 1.251	34,95 1.376	38,13 1.501
D UNEF-2A	.4375- 28	.5625- 24	.6875- 24	.8125- 20	.9375- 20	1.0625- 18	1.1875- 18	1.3125- 18	1.4375- 18
E Max	27,40 1.079	30,61 1.205	33,75 1.329	36,96 1.455	40,10 1.579	43,31 1.705	46,45 1.829	51,23 2.017	54,41 2.142
F	32,16 1.266	35,34 1.391	38,51 1.516	41,69 1.641	45,65 1.797	48,42 1.906	51,62 2.032	54,77 2.156	57,94 2.281
G Max	2,67 .105	2,67 .105	2,67 .105	2,67 .105	2,67 .105	2,67 .105	2,67 .105	2,67 .105	2,67 .105
K Max	35,34 1.391	38,51 1.516	41,69 1.641	45,65 1.797	48,42 1.906	51,62 2.032	54,79 2.157	57,94 2.281	61,12 2.406
L Max	2,90 .114	2,90 .114	2,90 .114	2,90 .114	2,90 .114	2,90 .114	2,90 .114	2,90 .114	2,90 .114