



Applications

Satellite
 Launcher
 Space station
 Shuttle hardware

Standards

ESA/SCC 3401/052/MIL-DTL-38999
 class G (QPL)



Circular connectors with removable crimp contacts

ESA/SCC 3401/052 are used with 3401/058 crimp contacts. This series is suitable for Flight Models.

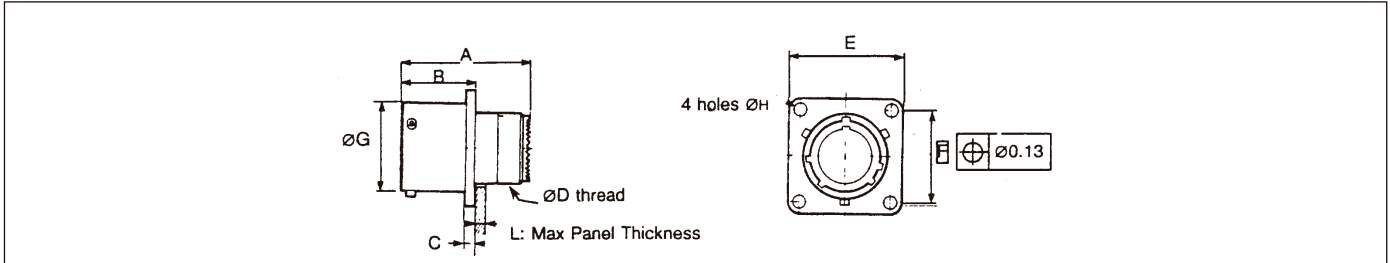
8LTS Series uses the same components as 3401/052 it is derived from. They are delivered without traceability and LAT testing which often complies with Engineering Models requirements.

Part Number / Ordering information

SCC specification number	3401 052	01	B	00	13	35	P	N	L
Type of variant ESA not to be modified									
B testing level not to be modified									
Shell type									
00 : square flange receptacle (front mounting)									
03 : square flange receptacle (rear mounting)									
06 : plug (with grounding ring)									
07 : single hole mounting receptacle									
Shell size 09 - 11 - 13 - 15 - 17 - 19 - 21 - 23 -25									
Contact arrangement (see table page 83)									
Contact type									
P : pin S : socket									
Clocking position									
N : normal (standard clocking position) Other positions : A, B, C & D									
L : connectors ordered without contacts («L» is not marked on the connector) connectors are only supplied less contacts									
8LTS Series	8LTS	00	13	35	P	N	L		
Shell type									
00 : square flange receptacle (front mounting)									
03 : square flange receptacle (rear mounting)									
06G : plug («G» for grounding)									
07 : single hole mounting receptacle									
Shell size 09 - 11 - 13 - 15 - 17 - 19 - 21 - 23 -25									
Contact arrangement (see table page 83)									
Contact type									
P : pin S : socket									
Clocking position									
N : normal Other positions : A, B, C & D									
L : connectors ordered without contacts («L» is not marked on the connector) connectors are only supplied less contacts									

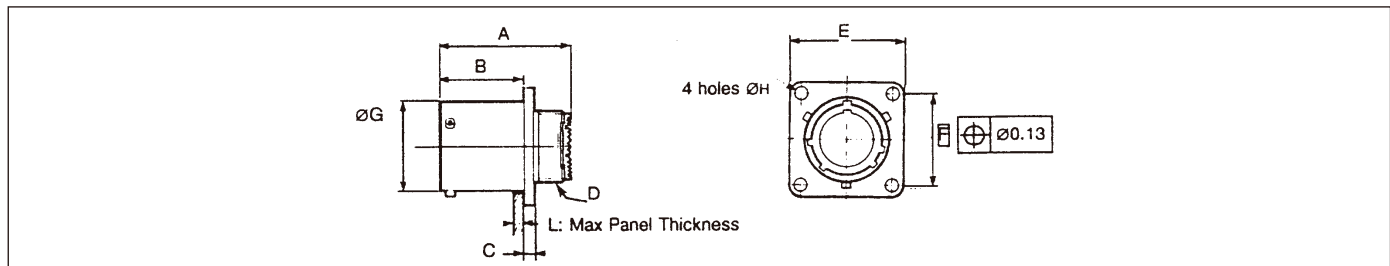


Type 00 : Square flange receptacle front mounting



Shell size	9		11		13		15		17		19		21		23		25	
	min	Max	min	Max	min	Max	min	Max	min	Max	min	Max	min	Max	min	Max	min	Max
A		32,02 .1261		32,02 .1261		32,02 .1261		32,02 .1261		32,02 .1261		32,02 .1261		32,02 .1261		32,02 .1261		32,02 .1261
B		18,53 .730		18,53 .730		18,53 .730		18,53 .730		18,53 .730		18,53 .730		15,3 .602		15,3 .602		15,3 .602
C		2,5 .098		2,5 .098		2,5 .098		2,5 .098		2,5 .098		2,5 .098		2,5 .098		2,5 .098		2,5 .098
D UNEF-2A	.4375-28		.5625-24		.6875-24		.8125-20		.9375-20		1.0625-18		1.1875-18		1.3125-18		1.4375-18	
E	23,95 .943	24,55 .967	26,3 1.035	26,9 1.059	28,7 1.130	29,3 1.154	31,05 1.222	31,65 1.246	33,45 1.317	34,05 1.341	36,6 1.441	37,2 1.465	39,8 1.567	40,4 1.591	42,95 1.691	43,55 1.715	46,2 1.819	46,7 1.839
F		18,26 .719		20,62 .812		23,01 .906		24,61 .969		26,97 1.062		29,36 1.156		31,75 1.250		34,93 1.375		38,1 1.500
G	14,41 .567	14,53 .572	17,66 .695	17,78 .700	21,47 .845	21,59 .850	24,65 .970	24,77 .975	27,82 1.095	27,94 1.100	30,54 1.202	30,66 1.207	33,71 1.327	33,83 1.332	36,88 1.452	37 1.457	40,06 1.577	40,18 1.582
H	3,15 .124	3,45 .136	3,15 .124	3,45 .136	3,15 .124	3,45 .136	3,15 .124	3,45 .136	3,15 .124	3,45 .136	3,15 .124	3,45 .136	3,15 .124	3,45 .136	3,63 .143	3,93 .155	3,63 .143	3,93 .155
L		2,5 .098		2,5 .098		2,5 .098		2,5 .098		2,5 .098		2,5 .098		2,5 .098		2,5 .098		2,5 .098

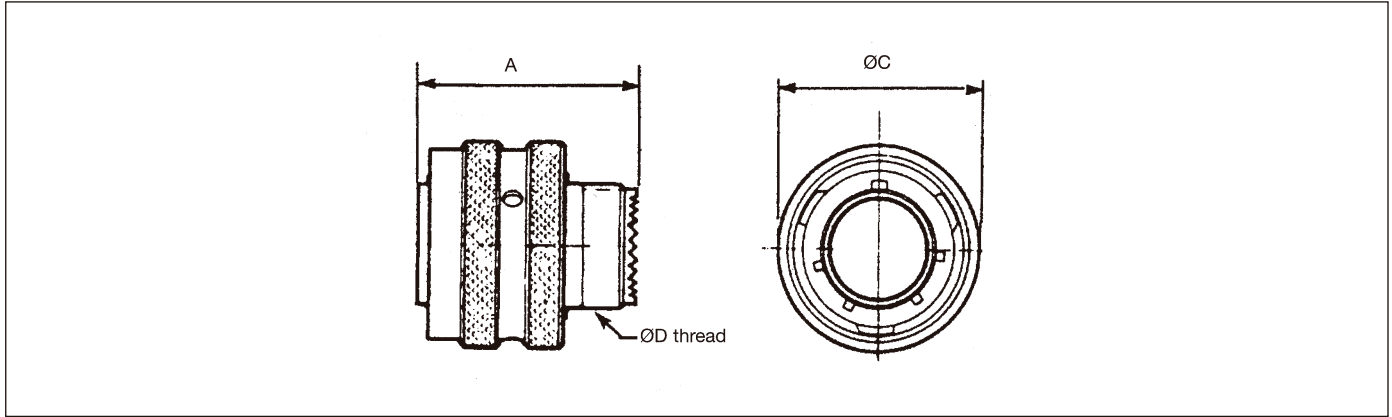
Type 03 : Square flange receptacle back mounting



Shell size	9		11		13		15		17		19		21		23		25	
	min	Max	min	Max	min	Max	min	Max	min	Max	min	Max	min	Max	min	Max	min	Max
A		31,33 1.233		31,33 1.233		31,33 1.233		31,33 1.233		31,33 1.233		31,33 1.233		31,33 1.233		31,33 1.233		31,33 1.233
B		20,83 .820		20,83 .820		20,83 .820		20,83 .820		20,83 .820		20,83 .820		20,08 .791		20,08 .791		20,08 .791
C		2,5 .098		2,5 .098		2,5 .098		2,5 .098		2,5 .098		2,5 .098		2,5 .098		2,5 .098		2,5 .098
D UNEF-2A	.4375-28		.5625-24		.6875-24		.8125-20		.9375-20		1.0625-18		1.1875-18		1.3125-18		1.4375-18	
E	23,95 .943	24,55 .967	26,3 1.035	26,9 1.059	28,7 1.130	29,3 1.154	31,05 1.222	31,65 1.246	33,45 1.317	34,05 1.341	36,6 1.441	37,2 1.465	39,8 1.567	40,4 1.591	42,95 1.691	43,55 1.715	46,2 1.819	46,7 1.839
F		18,26 .719		20,62 .812		23,01 .906		24,61 .969		26,97 1.062		29,36 1.156		31,75 1.250		34,93 1.375		38,1 1.500
G	14,41 .567	14,53 .572	17,66 .695	17,78 .700	21,47 .845	21,59 .850	24,65 .970	24,77 .975	27,82 1.095	27,94 1.100	30,54 1.202	30,66 1.207	33,71 1.327	33,83 1.332	36,88 1.452	37 1.457	40,06 1.577	40,18 1.582
H	3,45 .124	3,15 .136	3,15 .124	3,45 .136	3,15 .124	3,45 .136	3,15 .124	3,45 .136	3,15 .124	3,45 .136	3,15 .124	3,45 .136	3,15 .124	3,45 .136	3,63 .143	3,93 .155	3,63 .143	3,93 .155
L		2,5 .098		2,5 .098		2,5 .098		2,5 .098		2,5 .098		2,5 .098		2,5 .098		2,5 .098		2,5 .098

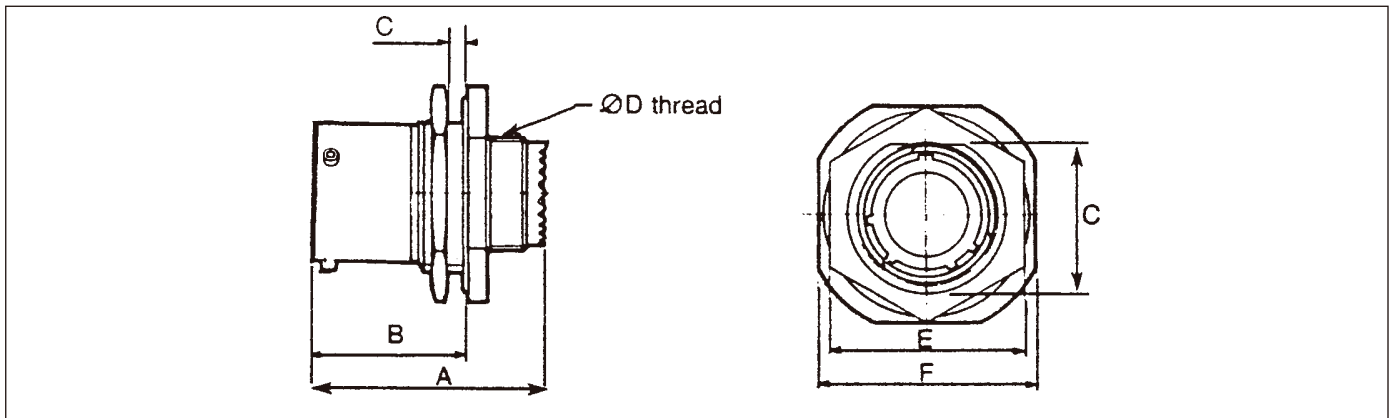


Type 06G : Plug with grounding ring



Shell size	09 Max.	11 Max.	13 Max.	15 Max.	17 Max.	19 Max.	21 Max.	23 Max.	25 Max.
A	31,32 .1.261	31,32 .1.261	31,32 .1.261	31,32 .1.261	31,32 .1.261	31,32 .1.261	31,32 .1.261	31,32 .1.261	31,32 .1.261
C	21,80 .858	25,00 .984	29,40 .1.157	32,50 .1.280	35,70 .1.406	38,50 .1.516	41,70 .1.642	44,85 .1.766	48,00 .1.890
D UNEF-2A	.4375-28	.5625-24	.6875-24	.8125-20	.9375-20	1.0625-18	1.1875-18	1.3125-18	1.4375-18

Type 07 : Single hole mounting receptacle



Shell size	09		11		13		15		17		19		21		23		25	
	min	Max	min	Max	min	Max	min	Max	min	Max	min	Max	min	Max	min	Max	min	Max
A		31,68 .1.247		31,68 .1.247		31,68 .1.247		31,68 .1.247		31,68 .1.247		31,68 .1.247		31,68 .1.247		31,68 .1.247		31,68 .1.247
B		23,36 .820		23,36 .820		23,36 .820		23,36 .820		23,36 .820		23,36 .820		23,36 .820		23,36 .820		23,36 .820
C	16,43 .647	16,63 .655	18,97 .747	19,17 .755	23,72 .934	23,92 .942	26,87 1.058	27,07 1.066	30,05 1.183	30,25 1.191	33,22 1.308	33,42 1.316	36,40 1.433	36,60 1.441	39,57 1.558	39,77 1.566	42,75 1.683	42,95 1.691
D UNEF-2A	.4375-28		.5625-24		.6875-24		.8125-20		.9375-20		1.0625-18		1.1875-18		1.3125-18		1.4375-18	
E	22,25 .876	22,45 .884	25,45 1.002	25,65 1.010	30,20 1.189	30,40 1.197	33,35 1.313	33,55 1.321	36,55 1.439	36,75 1.447	39,70 1.563	39,90 1.571	42,90 1.689	43,10 1.697	46,05 1.813	46,25 1.821	50,85 2.002	51,05 2.010
F	26,95 1.061	27,75 1.093	31,70 1.248	32,50 1.280	34,91 1.374	35,71 1.406	39,09 1.539	38,89 1.531	41,23 1.623	42,03 1.655	45,97 1.810	46,77 1.841	49,18 1.936	49,98 1.968	52,36 2.061	53,16 2.093	55,53 2.186	56,33 2.218
L		3,20 .126		3,20 .126		3,20 .126		3,20 .126		3,20 .126		3,20 .126		3,20 .126		3,20 .126		3,20 .126