



AIR OUTLETS

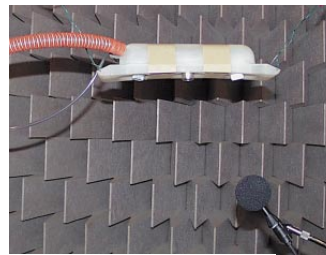
Goodrich air outlets are part of the passenger service units in commuter and commercial airplanes and deliver fresh air to comfort the passengers.

There are three different types available which all offer the following features:

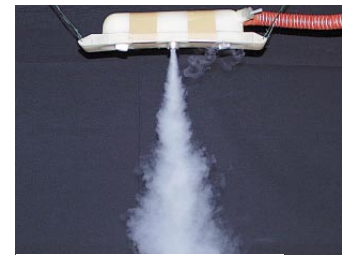
- Easy adjustment of airflow direction and volume
- Low noise level
- Low mass
- Passed flammability tests acc. to FAR §25.853 (c), ABD0031 and ABD0100

Technical Data:

- Material of visible parts: PES
- Material of non-visible parts: PA flame retarding
- Material of plated parts: Aluminium
- Pressure range: 3 - 40 hPa (1.2 - 16" H₂O)
- Nominal pressure: 5 hPa (2" H₂O)
- Flow rate: 1.5 ± 0.15 l/sec at 5 hPa (3.2 ± 0.32 CFM at 2" H₂O)
- Leakage: 3 l/min max. at 10 hPa (0.1 CFM max. at 4" H₂O)
- Air velocity: 0.6 m/sec at 1.9 m distance and 5 hPa (118 FPM at 6.2 feet distance and 2" H₂O)



Noise test



Flow test

9XX 620 560-..

Dash-No.	Color *
..-00	Dream grey
..-01	White
..-02	Fog
..-03	Porcelain
..-04	Stone grey
..-05	Grey cloud
..-50	Chrome, glossy
..-51	Chrome, lusterless

9XG 455 700-..

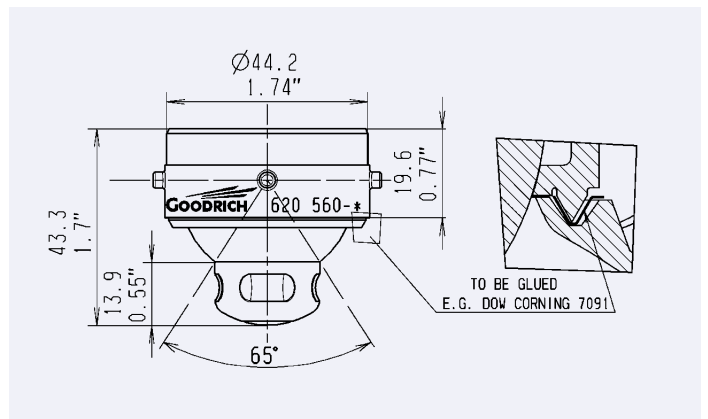
Dash-No.	Color *
..-03	Fine satin chrome
..-05	Satin nickel
..-16	Antique copper
..-34	Satin black nickel
..-51	Satin almond gold
..-53	Satin champ. gold
..-58	Bright gold 18 KT
..-75	Polished peach gold



Mass: 36 g (0.079 lbs), plated variants 58 g (0.128 lbs)

Note:

These outlets are intended to be glued to a plastic moulded panel. The cutout shall be Ø 36.5 mm (1.437").



* Further platings may be defined by the customer

9XX 620 561-..

Dash-No.	Color *
..00	Dream grey
..01	White
..02	Fog
..03	Porcelain
..04	Stone grey
..05	Grey cloud
..50	Chrome, glossy
..51	Chrome, lusterless

9XG 455 701-..

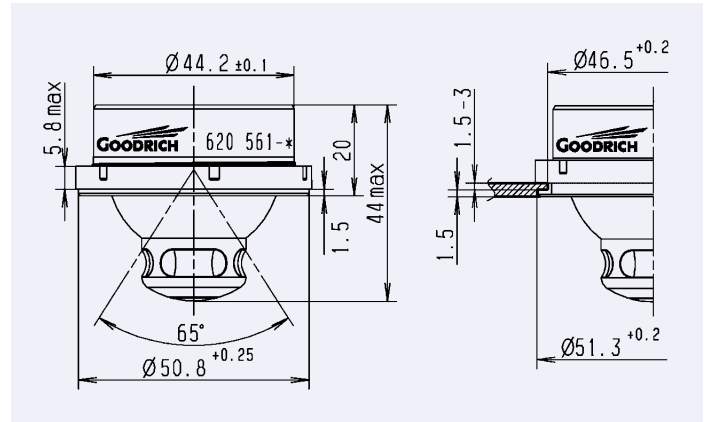
Dash-No.	Color *
..03	Fine satin chrome
..05	Satin nickel
..16	Antique copper
..34	Satin black nickel
..51	Satin almond gold
..53	Satin champ. gold
..58	Bright gold 18 KT
..75	Polished peach gold



Mass: 42 g (0.093 lbs), plated variants 72 g (0.159 lbs)

Note:

These outlets provide a thread at the rear and shall be fastened to a panel with the aid of a ring nut which is included on delivery. The panel cutout shall be $\varnothing 46.5$ mm (1.83"), the thickness shall be 1.5 mm (0.06") to 4.5 mm (0.177").



9XX 620 562-..

Dash-No.	Color *
..00	Dream grey
..01	White
..02	Fog
..03	Porcelain
..04	Stone grey
..05	Grey cloud
..50	Chrome, glossy
..51	Chrome, lusterless

9XG 455 702-..

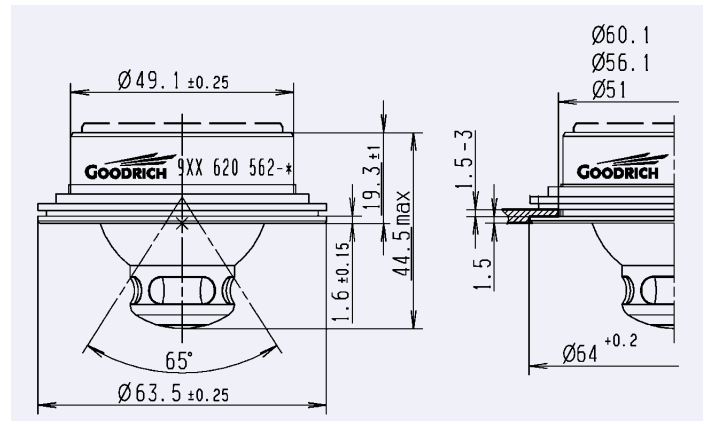
Dash-No.	Color *
..03	Fine satin chrome
..05	Satin nickel
..16	Antique copper
..34	Satin black nickel
..51	Satin almond gold
..53	Satin champ. gold
..58	Bright gold 18 KT
..75	Polished peach gold



Mass: 53 g (0.117 lbs), plated variants 92 g (0.203 lbs)

Note:

These outlets shall also be fastened by a ring nut. 3 panel cutouts are possible: $\varnothing 51$ mm (2"), $\varnothing 56.1$ mm (2.2") and $\varnothing 60.1$ mm (2.366"). The panel thickness shall be 1.5 mm (0.06") to 4.5 mm (0.177").



* Further platings may be defined by the customer

CONNECTION WITH THE AIR SYSTEM

Several parts are available to connect the air outlets with the air system.
Please contact us for detailed information.



Rear View of a Passenger Service Unit



Cap
9HD 404 934-35



Clamping Ring
9HV 404 933-00



Angle Bracket
9XD 409 527-10



T-Cross
9XD 409 453-00



O-Ring
9GR 716 096-00



GOODRICH

**Goodrich Lighting
Systems GmbH**
Bertramstrasse 8
59557 Lippstadt/Germany
Tel.: +49 2941 7676-0
Fax: +49 2941 7676-8432
Sita: PADHECR

**Goodrich Lighting
Systems, Inc.**
129 Fairfield Street
Oldsmar, FL 34677
Tel.: +1 813 891-7100
Fax: +1 813 855-5572
Sita: TOAHAXD

<http://www.lighting.goodrich.com>
lighting@goodrich.com

Air Outlets/TA/Sep 2005

The Goodrich name, logotype and symbol are registered trademarks of Goodrich Corporation.

Subject to change without notice. Any liability for errors and omissions excluded.