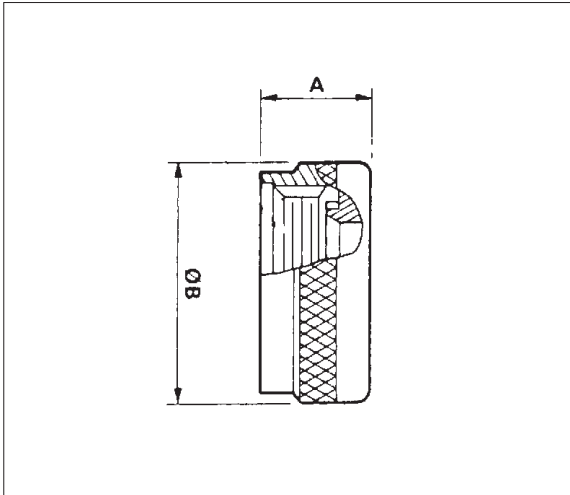


# 8D Aluminum & Composite Series



## Backshells

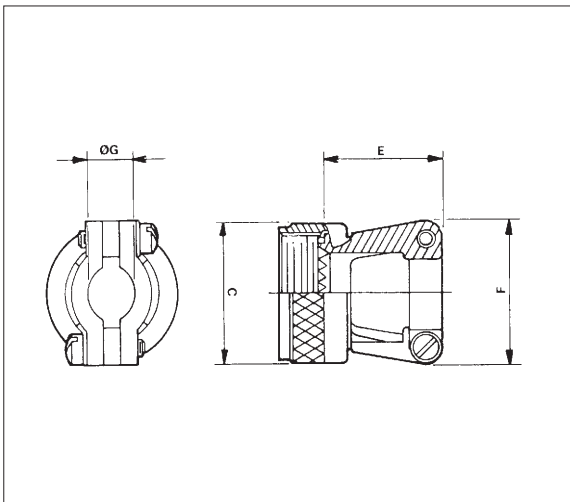
### Backnut



shell size	FCI Souriau P/N	Manufacturer P/N	A Max	B Max
09	8D 101 □ 01	S2707 - 64 - ■	16.20 .638	19.05 .750
11	8D 102 □ 01	S2707 - 65 - ■	16.20 .638	21.59 .850
13	8D 103 □ 01	S2707 - 67 - ■	16.20 .638	25.40 1.000
15	8D 104 □ 01	S2707 - 69 - ■	16.20 .638	27.94 1.100
17	8D 105 □ 01	S2707 - 70 - ■	16.20 .638	31.75 1.250
19	8D 106 □ 01	S2707 - 71 - ■	16.20 .638	35.56 1.400
21	8D 107 □ 01	S2707 - 72 - ■	16.20 .638	38.10 1.500
23	8D 108 □ 01	S2707 - 74 - ■	16.20 .638	41.91 1.650
25	8D 109 □ 01	S2707 - 77 - ■	16.20 .638	44.45 1.750

□ = B : olive green cadmium      ■ = 34 : olive green cadmium  
= F : nickel                              = 12 : nickel

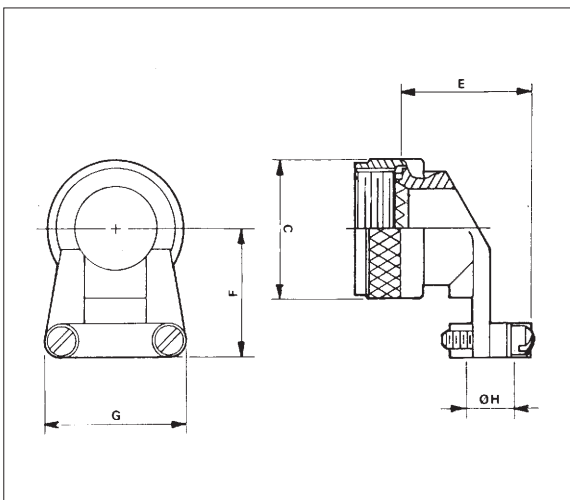
### Straight cable-clamp



shell size	FCI Souriau P/N	MIL-C85049 P/N	C Max	E Max	F Max	G	
						closed	open
09	8D 101 □ 02	M85049/38-09■	19.60 .772	14.10 .555	19.10 .752	3.20 .126	5.20 .205
11	8D 102 □ 02	M85049/38-11■	20.80 .819	16.90 .665	21.10 .831	4.70 .185	7.30 .287
13	8D 103 □ 02	M85049/38-13■	23.90 .941	20.10 .791	25.10 .988	7.40 .291	10.60 .417
15	8D 104 □ 02	M85049/38-15■	27.20 1.071	20.10 .791	26.60 1.047	8.90 .350	12.10 .476
17	8D 105 □ 02	M85049/38-17■	30.70 1.209	23.20 .913	33.50 1.319	12.70 .500	15.90 .626
19	8D 106 □ 02	M85049/38-19■	34.50 1.358	29.60 1.165	36.90 1.453	13.20 .520	17.90 .705
21	8D 107 □ 02	M85049/38-21■	37.60 1.480	32.80 1.291	39.50 1.555	14.80 .583	21.10 .831
23	8D 108 □ 02	M85049/38-23■	40.60 1.598	35.90 1.413	42.00 1.654	16.40 .646	24.30 .957
25	8D 109 □ 02	M85049/38-25■	43.20 1.701	47.70 1.878	45.70 1.799	22.20 .874	31.80 1.252

□ = B : olive green cadmium      ■ = A : black anodized  
= F : nickel                              = W : olive green cadmium

### Elbow cable clamp

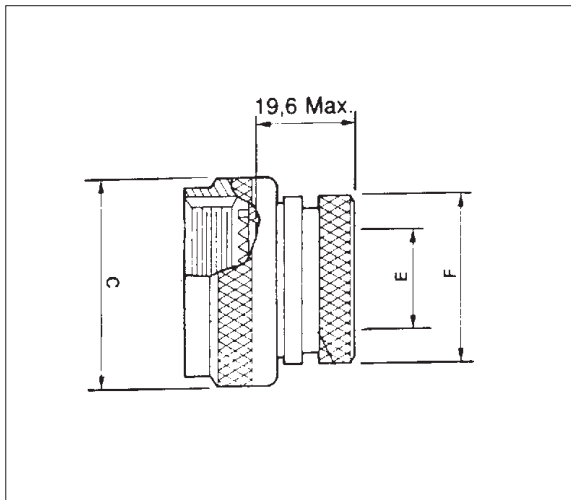


shell size	FCI Souriau P/N	MIL-C85049 P/N	C Max	E Max	F Max	G Max	H	
							closed	open
09	8D 101 □ 03	M85049/39-09■	19.60 .772	17.90 .705	20.60 .811	19.20 .756	3.20 .126	5.20 .205
11	8D 102 □ 03	M85049/39-11■	20.80 .819	20.00 .787	22.00 .866	21.10 .831	4.70 .185	7.30 .287
13	8D 103 □ 03	M85649/39-13■	23.90 .941	24.90 .980	23.60 .929	25.10 .988	7.40 .291	10.60 .417
15	8D 104 □ 03	M85049/39-15■	27.20 1.071	26.40 1.039	25.20 .992	26.60 1.047	8.90 .350	12.10 .476
17	8D 105 □ 03	M85049/39-17■	30.70 1.209	30.20 1.189	26.80 1.055	33.50 1.319	12.70 .500	15.90 .626
18	8D 106 □ 03	M85049/39-19■	34.50 1.358	33.00 1.299	31.30 1.232	36.90 1.453	13.20 .520	17.90 .705
21	8D 107 □ 03	M85049/39-21■	37.60 1.480	36.20 1.425	32.90 1.295	39.40 1.551	14.80 .583	21.10 .831
23	8D 108 □ 03	M85049/39-23■	40.60 1.598	39.40 1.551	34.50 1.358	42.00 1.654	16.40 .646	24.30 .957
25	8D 109 □ 03	M85049/39-25■	43.20 1.701	42.50 1.673	36.10 1.421	45.10 1.776	17.90 .705	27.50 1.083

□ = B : olive green cadmium      ■ = A : black anodized  
= F : nickel                              = W : olive green cadmium

# 8D Aluminum & Composite Series

## Backshell for heat shrink boot



shell size	FCI Souriau P/N	MIL-C85049 P/N	c Max	e Max	f Max
09	8D 101 □ 13	M85049/69-09 A	19.60 .772	6.80 .268	13.50 .531
11	8D 102 □ 13	M85049/69-11 A	20.80 .819	10.10 .398	15.40 .606
13	8D 103 □ 13	M85049/69-13 A	23.90 .941	13.00 .512	19.70 .776
15	8D 104 □ 13	M85049/69-15 A	27.20 1.071	16.20 .638	21.30 .839
17	8D 105 □ 13	M85049/69-17 A	30.70 1.209	19.30 .760	24.50 .965
19	8D 106 □ 13	M85049/69-19 A	34.50 1.358	21.60 .850	26.50 1.043
21	8D 107 □ 13	M85049/69-21 A	37.60 1.480	24.80 .976	30.90 1.217
23	8D 108 □ 13	M85049/69-23 A	40.60 1.598	27.90 1.098	34.40 1.354
25	8D 109 □ 13	M85049/69-25 A	43.20 1.701	31.10 1.224	36.70 1.445

□ = B : olive green cadmium  
= F : nickel

A : black anodized

## Backshell for screen termination and cable clamp

basic series	M85049/19	11	W	03
shell size	09-11-13-15-17-19-21-23-25			
plating	W - olive green cadmium N - nickel			
clamp size indicator	- see table 1 and 2			

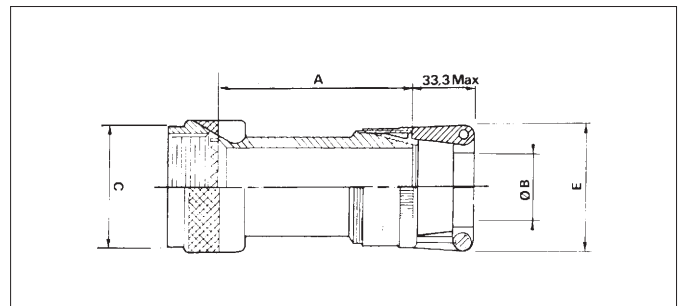


Table 1

shell size	A Max	C Max	clamp size indicator
9	38.10 1.500	19.60 .772	01-02
11	38.10 1.500	20.80 .819	01-02-03
13	38.10 1.500	23.90 .941	02-03-04
15	38.10 1.539	27.20 1.071	02-03-04-05
17	38.10 1.500	30.70 1.209	02-03-04-05-06
19	38.10 1.500	34.50 1.358	03-04-05-06-07
21	38.10 1.500	37.60 1.480	03-04-05-06-07-08
23	38.10 1.500	40.60 1.598	03-04-05-06-07-08
25	38.10 1.500	43.20 1.701	04-05-06-07-08-09-10

Table 2

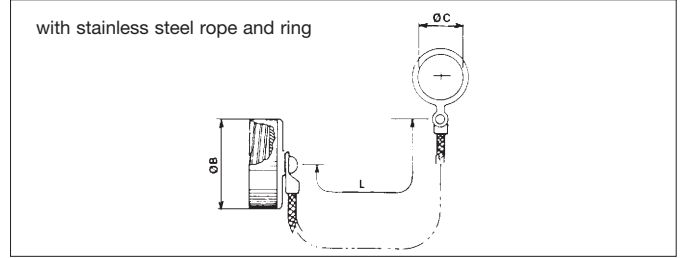
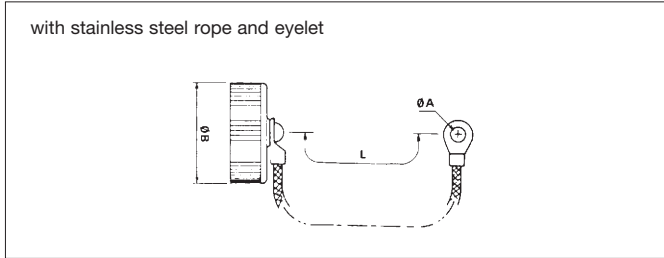
clamp size indicator	B		E Max
	min	Max	
01	1.60 .063	3.20 .126	19.80 .780
02	3.20 .126	6.40 .252	24.60 .969
03	6.40 .252	9.50 .374	27.00 1.063
04	7.90 .311	12.70 .500	29.40 1.157
05	11.10 .437	15.90 .626	31.80 1.252
06	14.30 .563	19.10 .752	34.90 1.374
07	17.40 .685	22.20 .874	38.10 1.500
08	20.60 .811	25.40 1.000	41.30 1.626
09	23.80 .937	28.60 1.126	44.50 1.752
10	27.00 1.063	31.80 1.252	47.60 1.874

Note : for other backshell type see catalogue M85049, STS and SE uni adapter.

# 8D Aluminum & Composite Series

## Caps

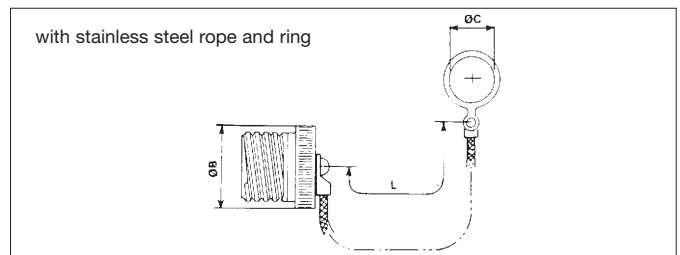
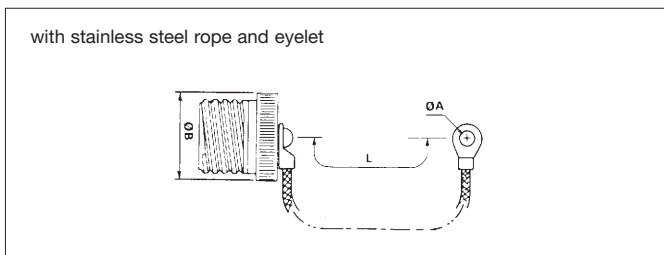
### caps for receptacle



shell size	part numbers		A min	B Max	L
	SUNBANK	MIL-C38999*			
09	S2453-09W-■	D38999/33 W 09R	3.90 .154	22.86 .900	127.00 5.000
11	S2453-11W-■	D38999/33 W 11R	3.90 .154	27.96 1.101	127.00 5.000
13	S2453-13W-■	D38999/33 W 13R	3.90 .154	30.48 1.200	127.00 5.000
15	S2453-15W-■	D38999/33 W 15R	3.90 .154	31.75 1.250	127.00 5.000
17	S2453-17W-■	D38999/33 W 17R	3.90 .154	36.83 1.450	127.00 5.000
19	S2453-19W-■	D38999/33 W 19R	3.90 .154	38.10 1.500	127.00 5.000
21	S2453-21W-■	D38999/33 W 21R	3.90 .154	41.91 1.650	127.00 5.000
23	S2453-23W-■	D38999/33 W 23R	3.90 .154	44.45 1.750	127.00 5.000
25	S2453-25W-■	D38999/33 W 25R	3.90 .154	48.26 1.900	127.00 5.000

shell size	part numbers		C min	B Max	L
	SUNBANK	MIL-C38999*			
09	S2453-09W-■-1	D38999/33 W 09N	17.64 .694	22.86 .900	127.00 5.000
11	S2453-11W-■-1	D38999/33 W 11N	21.97 .865	27.96 1.101	127.00 5.000
13	S2453-13W-■-1	D38999/33 W 13N	25.12 .989	30.48 1.200	127.00 5.000
15	S2453-15W-■-1	D38999/33 W 15N	29.92 1.178	31.75 1.250	127.00 5.000
17	S2453-17W-■-1	D38999/33 W 17N	32 1.260	36.83 1.450	127.00 5.000
19	S2453-19W-■-1	D38999/33 W 19N	36.27 1.428	38.10 1.500	127.00 5.000
21	S2453-21W-■-1	D38999/33 W 21N	38.25 1.506	41.91 1.650	127.00 5.000
23	S2453-23W-■-1	D38999/33 W 23N	42.62 1.679	44.45 1.750	127.00 5.000
25	S2453-25W-■-1	D38999/33 W 25N	44.45 1.750	48.26 1.900	127.00 5.000

### caps for plug



shell size	Part numbers		A min	B Max	L
	SUNBANK	MIL-C38999*			
09	S2454-09F-■ S	D38999/32 W 09R	3.90 .154	22.86 .900	127.00 5.000
11	S2454-11F-■ S	D38999/32 W 11R	3.90 .154	27.96 1.101	127.00 5.000
13	S2454-13F-■ S	D38999/32 W 13R	3.90 .154	30.48 1.200	127.00 5.000
15	S2454-15F-■ S	D38999/32 W 15R	3.90 .154	31.75 1.250	127.00 5.000
17	S2454-17F-■ S	D38999/32 W 17R	3.90 .154	36.83 1.450	127.00 5.000
19	S2454-19F-■ S	D38999/32 W 19R	3.90 .154	38.10 1.500	127.00 5.000
21	S2454-21F-■ S	D38999/32 W 21R	3.90 .154	41.91 1.650	127.00 5.000
23	S2454-23F-■ S	D38999/32 W 23R	3.90 .154	44.45 1.750	127.00 5.000
25	S2454-25F-■ S	D38999/32 W 25R	3.90 .154	48.26 1.900	127.00 5.000

shell size	Part numbers		C min	B Max	L
	SUNBANK	MIL-C38999*			
09	S2454-09W-■ S	D38999/32 W 09N	12.92 .509	22.86 .900	127.00 5.000
11	S2454-11W-■ S	D38999/32 W 11N	17.78 .700	27.96 1.101	127.00 5.000
13	S2454-13W-■ S	D38999/32 W 13N	19.27 .759	30.48 1.200	127.00 5.000
15	S2454-15W-■ S	D38999/32 W 15N	22.60 .890	31.75 1.250	127.00 5.000
17	S2454-17W-■ S	D38999/32 W 17N	25.62 1.009	36.83 1.450	127.00 5.000
19	S2454-19W-■ S	D38999/32 W 19N	28.95 1.140	38.10 1.500	127.00 5.000
21	S2454-21W-■ S	D38999/32 W 21N	31.97 1.259	41.91 1.650	127.00 5.000
23	S2454-23W-■ S	D38999/32 W 23N	34.03 1.340	44.45 1.750	127.00 5.000
25	S2454-25W-■ S	D38999/32 W 25N	38.32 1.509	48.26 1.900	127.00 5.000

■ : Plating - 34 : Olive green cadmium - 12 : Nickel

\* For MIL-C P/N : W : Olive green