

8526 Series



Applications

For all general purposes in aeromil area.

Standards

NFC 93422 - HE 312
D TAT C 5935 x 0001



Description

- Intermateable and interchangeable with MIL-C 26482G Series I and II DIN 29504 and PAN 6432-1
- Aluminum alloy olive green or nickel plating
- Bayonet coupling
- Gold plating crimp contacts
 - # 20, 16 and # 12
 - # 16 and # 12 coaxial contacts
- Hermetic versions available

Characteristics

Mechanical

- Endurance : 500 operations
- Shock : according to NFC 93422 - HE 312
- Vibrations : 10 to 2000 Hz, 20 g
- Contact retention in insert :
 - size 20 : 90 N
 - size 16 : 115 N
 - size 12 : 133 N

Electrical

- Max current rating per contact :

	environmental class	hermetic class
size 20	7,5 A	5 A
size 16	13 A	10 A
size 12	23 A	17 A

- Contact resistance :

	environmental class	hermetic class
size 20	≤ 1 mΩ	≤ 7 mΩ
size 16	≤ 0,55 mΩ	≤ 3,8 mΩ
size 12	≤ 0,35 mΩ	≤ 2,4 mΩ

- Insulation resistance :
≥ 5000 mΩ at 500 Vdc

- Dielectric withstanding voltage 2 classes :
services I and II

Service	I	II
at ground level	1500 Vrms	2300 Vrms
at 21000 m	375 Vrms	550 Vrms

- Shell continuity :
 - environmental receptacle ≤ 5 mΩ
 - hermetic receptacle ≤ 50 mΩ

- Resistance to fluids :
according to NFC 93422 - HE 312

Climatic

- Operating temperature :
 - 55°C to +200°C (class N)
 - 55°C to +175°C (class G)
- Damp heat : 56 days
- Salt spray : 48 hours
- Leakage :
 - environmental version :**
 - when mated under a differential pressure of 2 bar, air leakage is ≤ 16 cm³ / hr
 - low pressure immersion : 33 mbar
 - hermetic version :**
 - differential pressure of 1 bar air/helium, leakage is ≤ 2,8 mm³ / hr

Ordering information

Environmental connectors

basic series		8526 -00	00	G	10B6	P	N	••
shell type	00 - square flange receptacle 07 - jam nut receptacle 36 - RFI shielded plug 16 - plug							
plating	G - olive green cadmium N - nickel							
contact layout	- see table p 56							
contact type	P - male contact S - female contact							
orientation	N - normal W, X, Y, Z - see table p 57							
specification	L - supplied without contacts - connectors supplied without backshell, with standard contacts : without digit - specification for connector supplied with backshell and standard contacts : 01 - backnut 02 - straight cable clamp 03 - elbow cable clamp 17 - backshell for heatshrink sleeving 32 - backshell for shield termination and heatshrink sleeving 09 - receptacle 00 or 07 with straight spill contacts size 20 Ø 0.60 mm - length 7.30 mm Max.							

8526 Series



Hermetic connectors

basic series	8526	2	H	1006	P	N
shell type	<ul style="list-style-type: none"> 1 - solder fixing receptacle 2 - square flange receptacle 7 - jam nut receptacle 					
plating	H - tin over nickel					
contact layout	- see table p 56					
contact type	P - male contact only					
orientation	N - normal W, X, Y, Z - see table p 57					

Backshells

basic series	852	-	01	G	10
backshell type	<ul style="list-style-type: none"> 01 - backnut 02 - straight cable clamp 03 - elbow cable clamp 17 - backshell for heatshrink sleeving 32 - backshell for shield termination and heatshrink sleeving 				
plating	G - olive green cadmium N - nickel				
shell size	08-10-12-14-16-18-20-22-24				

Caps

basic series	852	27	G	10	••
caps type	<ul style="list-style-type: none"> 26 - cap for plug 27 - cap for square flange receptacle 28 - cap for plug 29 - cap for jam nut receptacle 				
plating	G - olive green cadmium N - nickel				
shell size	08-10-12-14-16-18-20-22-24				
specification	- metallic chain : without digit 26 - nylon cord				

8526 Series



Cross reference list

FCI Souriau	NFC 93422 HE 312	Designation
8526-00 G ●● B ●● P □ S	HE 312 0E ●●●● P □ 7 S	square flange receptacle olive green plating
8526-00 N ●● B ●● P □ S	HE 312 0E ●●●● P □ 6 S	square flange receptacle nickel plating
8526-07 G ●● B ●● P □ S	HE 312 7E ●●●● P □ 7 S	jam nut receptacle olive green plating
8526-07 N ●● B ●● P □ S	HE 312 7E ●●●● P □ 6 S	jam nut receptacle nickel plating
8526-16 G ●● B ●● P □ S	HE 312 6E ●●●● P □ 6 S	plug olive green plating
8526-16 N ●● B ●● P □ S	HE 312 6E ●●●● P □ 6 S	plug nickel plating
8526-36 G ●● B ●● P □ S	HE 312 5E ●●●● P □ 7 S	RFI shielded plug olive green plating
8526-36 N ●● B ●● P □ S	HE 312 5E ●●●● P □ 6 S	RFI shielded plug nickel plating
8526-1H●●●● P □	HE 312 1H ●●●● P □ 2	solder flange receptacle
8526-2H●●●● P □	HE 312 2H ●●●● P □ 2	square flange receptacle
8526-7H●●●● P □	HE 312 7H ●●●● P □ 2	jam nut receptacle
852 - 01 G ●●	HE 312 01 - ●● - 7	backnut olive green plating
852 - 01 N ●●	HE 312 01 - ●● - 6	backnut nickel plating
852 - 02 G ●●	HE 312 02 - ●● - 7	straight cable clamp olive green plating
852 - 02 N ●●	HE 312 02 - ●● - 6	straight cable clamp nickel plating
852 - 03 G ●●	HE 312 03 - ●● - 7	elbow cable clamp olive green plating
852 - 03 N ●●	HE 312 03 - ●● - 6	elbow cable clamp nickel plating
852 - 32 G ●●	HE 312 06 - ●● - 7	backshell for screen termination and heatshrink sleeving olive green plating
852 - 32 N ●●	HE 312 06 - ●● - 6	backshell for screen termination and heatshrink sleeving nickel plating
852 - 26 G ●●	HE 312 B06- ●● - 7	cap for plug olive green plating, metallic chain, ring
852 - 26 N ●●	HE 312 B06- ●● - 6	cap for plug nickel plating, metallic chain, ring
852 - 27 G ●●	HE 312 B00- ●● - 7	cap for receptacle olive green cadmium, metallic chain, eyelet
852 - 27 N ●●	HE 312 B00- ●● - 6	cap for receptacle nickel plating metallic chain, eyelet
852 - 28 G ●●	HE 312 B16- ●● - 7	cap for plug olive green cadmium, metallic chain, eyelet
852 - 28 N ●●	HE 312 B16- ●● - 6	cap for plug nickel plating, metallic chain, eyelet
852 - 29 G ●●	HE 312 B07- ●● - 7	cap for receptacle olive green cadmium, metallic chain, ring
852 - 29 N ●●	HE 312 B07- ●● - 6	cap for receptacle nickel plating metallic chain, ring
8522 - 20	NF L 54•131 - 20	plastic tool for size 20 contacts
8522 - 16	NF L 54•131 - 16	plastic tool for size 16 contacts
8522 - 12	NF L 54•131 - 12	plastic tool for size 12 contacts

8526 Series



Contact layouts viewed from front face of male insulator

shells								
08	10	12	14	16	18	20	22	24
8 B 3A *08 3A	10 B 6 *10 06	12 B 10 *12 10	14 B 19 *14 19	16 B 26 *16 26	18 B 32 *18 32	20 B 41 *20 41	22 B 55 *22 55	24 B 61 *24 61
3Ø1	6Ø1	10Ø1	19Ø1	26Ø1	32Ø1	41Ø1	55Ø1	61Ø1
8 B 33 *08 33	SN 0394	12 B 3 *12 03	14 B 15 *14 15	16 B 8 *16 08	18 B 11	20 B 39 *20 39	22 B 41 *22 41	24 B 31
3Ø1	1 coax	3Ø1.6	14Ø1 1Ø1.6	8Ø1.6	11Ø1.6	37Ø1 2Ø1.6	27Ø1 14Ø1.6	31Ø1.6
			14 B 12 *14 12		18 B 8 *18 8	20 B 16 *20 16	22 B 21 *22 21	24 B 19
			8Ø1 4Ø1.6		8Ø2.4	16Ø1.6	21Ø1.6	19Ø2.4
			14 B 5 *14 05		SN 0468		22 B 12	SN 1229
			8Ø1 5 x Ø1.6		2#12 2#20		12Ø2.4	52Ø1 2 coax # 12
			14 B 4 *14 4					SN 0797
			4Ø2.4					58Ø1 1 Coax 50 Ω

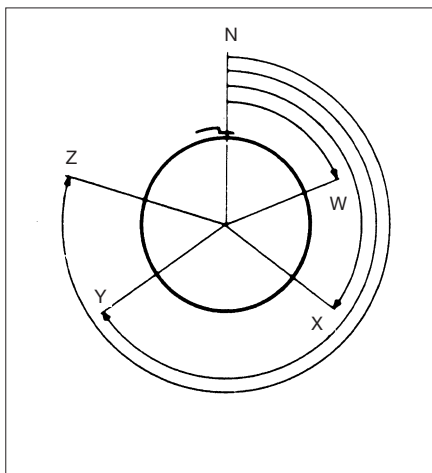
* hermetic receptacle available
 Specials SHTP

8526 Series



Polarization

(insulator rotated inside metal body)



shell size	layouts	service I 1500 Vrms	service II 2300 Vrms	number of contacts			angles in degrees				
				size 20	size 16	size 12	N	W	X	Y	Z
08	0 8 3 A	X		3			0	60	210	-	-
	0 8 3 3	X		3			0	90	-	-	-
10	1 0 0 6	X		6			0	90	-	-	-
	1 2 1 0	X		10			0	60	155	270	295
12	1 2 0 3	X	X		3		0	-	-	180	-
	1 4 1 9	X		19			0	30	165	315	-
14	1 4 1 5	X		14	1		0	17	110	155	234
	1 4 1 2	X		8	4		0	43	90	-	-
	1 4 0 5	X	X		5		0	40	92	184	273
	1 4 0 4	X				4	0	45	-	-	-
	1 6 2 6	X		26			0	60	-	275	338
16	1 6 0 8	X	X		8		0	54	152	180	331
	1 8 3 2	X		32			0	85	138	222	265
18	1 8 1 1	X	X		11		0	62	119	241	340
	1 8 0 8	X				8	0	180	-	-	-
	2 0 4 1	X		41			0	45	126	225	-
20	2 0 3 9	X		37	2		0	63	144	252	333
	2 0 1 6	X	X		16		0	238	318	333	347
	2 2 5 5	X		55			0	30	142	226	314
22	2 2 4 1	X		27	14		0	39	135	264	-
	2 2 2 1	X	X		21		0	16	135	175	349
	2 2 1 2	X				12	0	-	-	-	-
	2 4 6 1	X		61			0	90	180	270	324
24	2 4 3 1	X			31		0	90	225	255	-
	2 4 1 9	X	X			19	0	30	165	315	-

Contacts

contact size	# 20 standard	# 20*	# 16 standard	# 16*	# 12 standard
--------------	---------------	-------	---------------	-------	---------------

Technical characteristics

diameter	1 mm	1 mm	1,6 mm	1,6 mm	2,4 mm
retention force	90 N	90 N	115 N	115 N	136 N
current rating	7,5 A	7,5 A	13 A	13 A	23 A
contact resistance	≤ 1 mΩ	≤ 1 mΩ	≤ 0,55 mΩ	≤ 0,55 mΩ	≤ 0,35 mΩ

Admissible wires

external Ø over insulator	0,98 to 2,11 mm	0,98 to 2,11 mm	1,34 to 2,62 mm	1,34 to 2,62 mm	2,45 to 4,01 mm
admissible section	0,21 to 0,60 mm ²	0,38 to 0,93 mm ²	0,60 to 1,34 mm ²	0,93 to 1,91 mm ²	1,91 to 3,18 mm ²
wire gauge	24 to 20	22 to 18	20 to 16	18 to 14	14 to 12
reducing sleeve for wire of	0,09 to 0,21 mm ²	-	-	-	A

Part numbers

male contact	8526-1348	8522-2349 A	8526-1349	8522-6179 A	8526-1350
female contact	8526-1344	8520-292	8526-1346	8522-6180 A	8526-1347
colour code	red-red	red-violet	blue-blue	blue-orange	yellow-yellow
male contact thermocouples - chromel colour code	8522-875 yellow	8522-3761 yellow	8522-881 yellow	-	8522-887 yellow
thermocouples - alumel colour code	8522-876 black	8522-3760 black	8522-882 black	-	8522-888 black
female contact thermocouples - chromel colour code	8522-877 yellow	8522-3770 yellow	8522-883 yellow	-	8522-889 yellow
thermocouples - alumel colour code	8522-878 black	8522-3771 black	8522-884 black	-	8522-890 black
reducing sleeve	8522-2142	-	-	-	-

Minicoax contacts

minicoax installed instead of size 16 contacts

male contacts	8526-2-001 A	8526-2-002 A	8526-2-003 A
female contacts	8526-1-001 A	8526-1-002 A	8526-1-003 A
cables accepted	RG-174 U/KX 3 A RG-316 U/KX 22 A	RG-178 BU/KX 21 A	RG 179 BU

minicoax installed instead of size 12 contacts

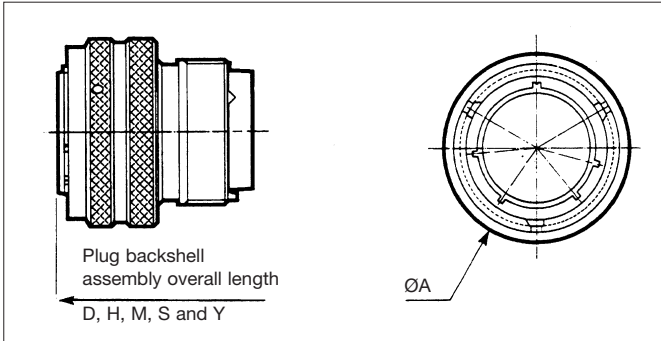
male contacts	8526-12-2-001	8526-12-2-002	8526-12-2-003	8526-12-2-004
female contacts	8526-12-1-001	8526-12-1-002	8526-12-1-003	8526-12-1-004
cables accepted	RG 178 BU	RG 179 BU	RG 316 U	RG 180 BU

8526 Series



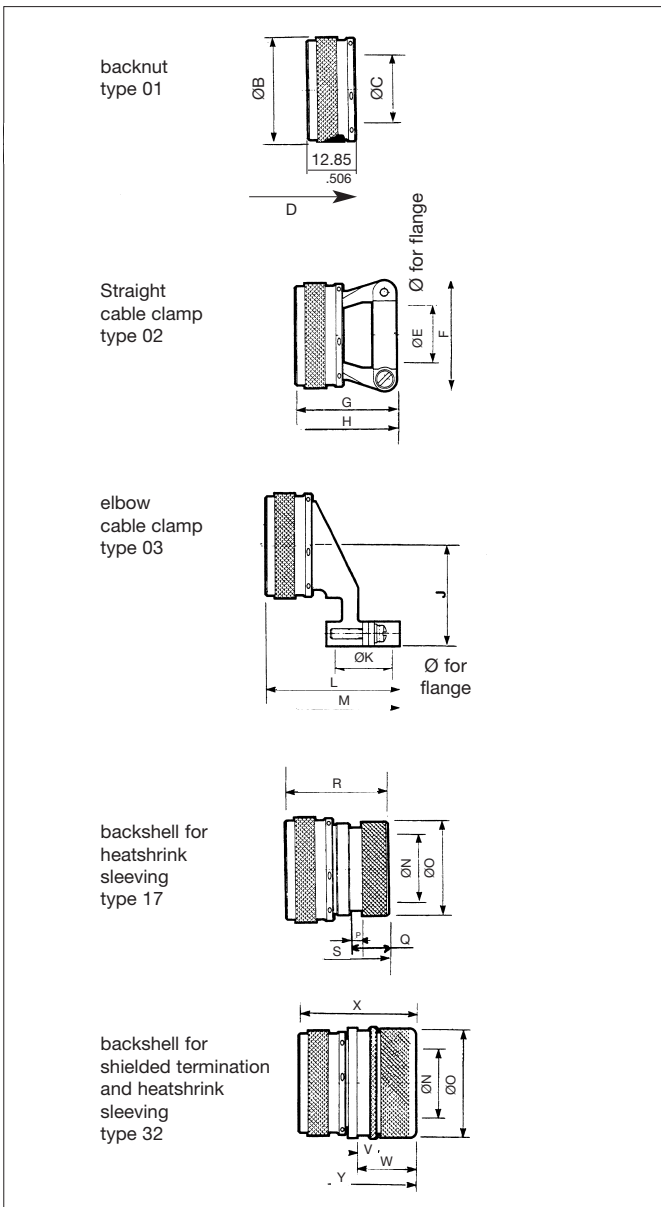
Dimensions

16 and 36 plug type



shell size	A	B Max	C	D Max	E min	E Max	F Max	G Max	H Max
08	18.95 .746	15.65 .616	6.75 .266	36.5 1.437	4 .157	5.85 .230	19.1 .752	22.25 .876	46.5 1.831
10	22.65 .892	18.6 .732	9.4 .370	36.5 1.437	6.85 .270	8.7 .343	20.3 .799	22.25 .876	46.5 1.831
12	25.75 1.014	21.75 .856	12.8 .504	36.5 1.437	10.15 .856	12 .504	23.5 1.437	22.25 .400	46.5 .472
14	29.75 1.171	24.95 .982	14.75 .581	36.5 1.437	11.7 .461	16.75 .659	25.5 1.004	27.45 1.081	51.8 2.039
16	32.95 1.297	28.2 1.110	17.93 .706	36.5 1.437	15.5 .610	20.55 1.161	29.5 1.161	27.45 1.081	51.8 2.039
18	35.35 1.392	30.9 1.217	19.94 .785	36.5 1.437	17.5 .689	22.55 .888	32.3 1.272	27.45 1.081	51.8 2.039
20	38.75 1.526	34.15 1.344	23.11 .910	36.5 1.437	20.7 .815	25.75 1.014	36 1.417	27.45 1.081	51.8 2.039
22	41.85 1.648	37.25 1.467	26.29 1.035	36.5 1.437	23.9 .941	28.95 1.140	39 1.535	27.45 1.081	51.8 2.039
24	45.05 1.774	40.45 1.593	29.2 1.150	36.5 1.437	27 1.063	32.05 1.262	42.7 1.681	27.45 1.081	51.8 2.039

Backshells



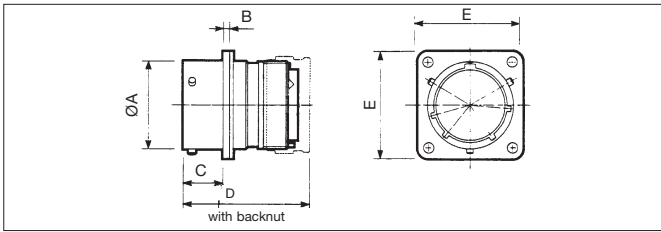
shell size	J Max	K min	K Max	L Max	M Max	N min	O Max	P	Q Max
08	20 .787	4 .157	5.85 .230	25 .984	49.3 1.941	6.75 .266	13.5 .531	3.3 .130	10.6 .417
10	22.2 .874	6.85 .270	8.7 .343	27.9 1.098	52.2 2.055	9.4 .370	15.35 .604	3.3 .130	10.6 .417
12	24 .945	10.15 .400	12 .472	31.2 1.228	55.5 2.185	12.8 .504	19.65 .774	3.3 .130	10.6 .417
14	24.5 .965	11.7 .461	16.75 .659	32.8 1.291	57.1 2.248	14.75 .581	21.25 .837	3.3 .130	10.6 .417
16	27 1.063	15.5 .610	20.55 .809	36.5 1.437	61 2.402	17.93 .706	24.45 .963	3.3 .130	10.6 .417
18	28.6 1.126	17.5 .689	22.55 .888	38.5 1.516	63 2.480	17.93 .785	24.45 1.041	3.3 .130	10.6 .417
20	30.1 1.185	20.7 .815	25.75 1.014	41.8 1.646	66.2 2.606	23.11 .910	30.9 1.217	3.3 .130	10.6 .417
22	31.9 1.256	23.9 .941	28.95 1.140	45 1.772	69.3 2.728	26.29 1.035	34.4 1.354	3.3 .130	10.6 .417
24	33.4 1.315	27 1.063	32.05 1.262	48 1.890	72.3 2.846	29.2 1.150	36.65 1.443	3.3 .130	10.6 .417

shell size	R Max	S Max	T Max	U Max	V	W Max	X Max	Y Max
08	28.55 1.124	52 2.047	7.5 .295	18.2 .717	3.5 .138	15 .591	29 1.142	53.3 2.098
10	28.55 1.124	52 2.047	9.7 .382	19.2 .756	3.5 .138	15 .591	29 1.142	53.3 2.098
12	28.55 1.124	52 2.047	13 .512	24.2 .953	3.5 .138	15 .591	29 1.142	53.3 2.098
14	28.55 1.124	52 2.047	15 .591	27.2 1.071	3.5 .138	15 .591	29 1.142	53.3 2.098
16	28.55 1.124	52 2.047	18.3 .720	30.2 1.189	3.5 .138	15 .591	29 1.142	53.3 2.098
18	28.55 1.124	52 2.047	21 .827	33.2 1.307	3.5 .138	15 .591	29.3 1.154	53.6 2.110
20	28.55 1.124	52 2.047	23.5 .925	36.3 1.429	3.5 .138	15 .591	29.3 1.154	53.6 2.110
22	28.55 1.124	52 2.047	26.5 1.043	39.5 1.555	3.5 .138	15 .591	29.3 1.154	53.6 2.110
24	28.55 1.124	52 2.047	30 1.181	42.6 1.677	3.5 .138	15 .591	29.3 1.154	53.6 2.110

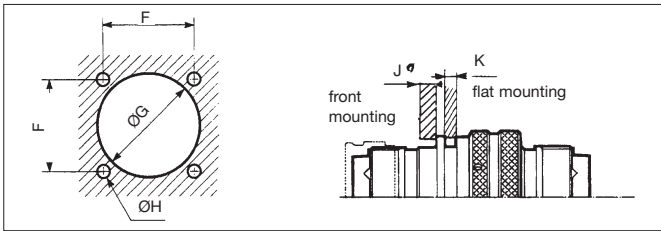
8526 Series



Environmental square flange receptacle - 00 type

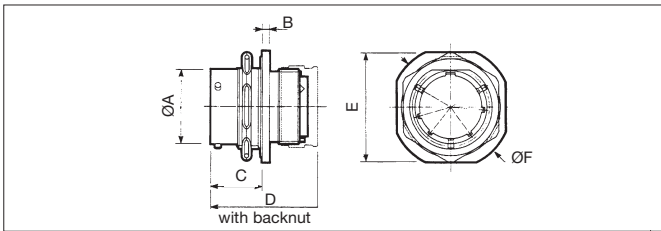


panel cut-out

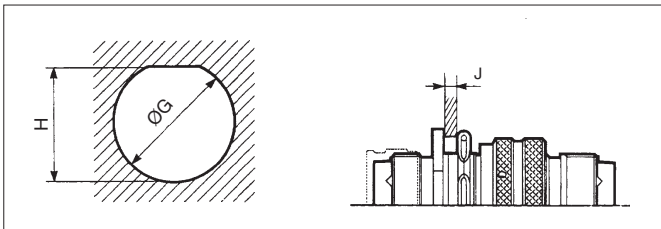


shell size	A Max	B Max	C Max	D Max	E Max	F	G	H	J Max	K Max
08	12.03 .474	1.95 .077	11.7 .461	36.5 1.437	21 .827	15.09 .594	14.43 .568	3.05 .120	3.17 .125	2.21 .087
10	15.01 .591	1.95 .077	11.7 .461	36.5 1.437	24.2 .953	18.26 .719	17.4 .685	3.05 .120	3.17 .125	2.21 .087
12	19.07 .751	1.95 .077	11.7 .461	36.5 1.437	26.55 1.045	20.62 .812	21.95 .864	3.05 .120	3.17 .125	2.21 .087
14	22.25 1.126	1.95 .077	11.7 .461	36.5 1.437	28.9 1.138	23.01 .906	25.12 .989	3.05 .120	3.17 .125	2.21 .087
16	25.42 1.001	1.95 .077	11.7 .461	36.5 1.437	31.3 1.232	24.61 .969	28.27 1.113	3.05 .120	3.17 .125	2.21 .087
18	28.6 1.126	1.95 .077	11.7 .461	36.5 1.437	33.7 1.327	26.97 1.062	31.45 1.238	3.05 .120	3.17 .125	2.21 .087
20	31.77 1.251	2.75 .108	14.35 .565	38.1 1.500	36.9 1.453	29.36 1.156	34.62 1.363	3.05 .120	3.17 .125	5.38 .212
22	34.95 1.376	2.75 .108	14.35 .565	38.1 1.500	40 1.575	31.75 1.250	37.8 1.488	3.05 .120	3.17 .125	5.38 .212
24	38.12 1.501	2.75 .108	15.2 .598	38.1 1.500	43.3 1.705	34.92 1.375	41.02 1.615	3.73 .147	3.17 .125	5.38 .212

Environmental jam nut receptacle - 07 type

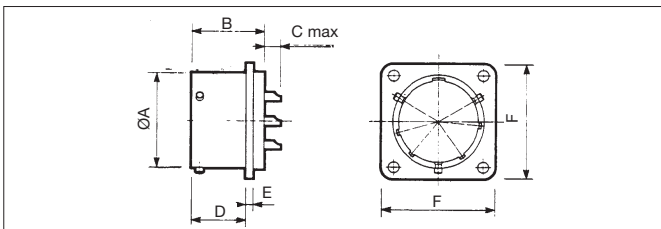


panel cut-out

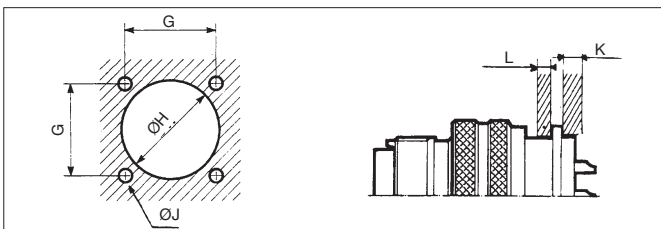


shell size	A Max	B Max	C Max	D Max	E Max	F Max	G	H	J Max
08	12.03 .474	2.51 .099	17.55 .691	36.5 1.437	24.05 .947	27.2 1.071	14.53 .572	13.61 .536	4.75 .187
10	15.01 .591	2.51 .099	17.55 .691	36.5 1.437	27.2 1.071	30.4 1.197	17.7 .697	16.79 .661	4.75 .187
12	19.07 .751	2.51 .099	17.55 .691	36.5 1.437	32 1.260	35.15 1.384	22.73 .895	20.93 .824	4.75 .187
14	22.25 .876	2.51 .099	17.55 .691	36.5 1.437	35.15 1.384	38.35 1.510	25.65 1.010	24.08 .948	4.75 .187
16	25.42 1.001	2.51 .099	17.55 .691	36.5 1.437	38.35 1.510	41.5 1.634	28.83 1.135	27.23 1.072	4.75 .187
18	28.6 1.126	2.51 .099	17.55 .691	36.5 1.437	41.5 1.634	44.7 1.760	32 1.260	30.4 1.197	4.75 .187
20	31.77 1.251	3.3 .130	19.15 .754	38.1 1.500	46.25 1.947	49.45 1.947	35.18 1.385	33.58 1.322	6.35 .250
22	34.95 1.376	3.3 .130	19.15 .754	38.1 1.500	49.45 1.947	52.6 2.071	38.35 1.510	36.75 1.447	6.35 .250
24	38.12 1.501	3.3 .130	19.15 .754	38.1 1.500	52.6 2.071	55.8 2.197	41.53 1.635	39.93 1.572	5.55 .219

Solder fixing receptacle - 2 H type



panel cut-out

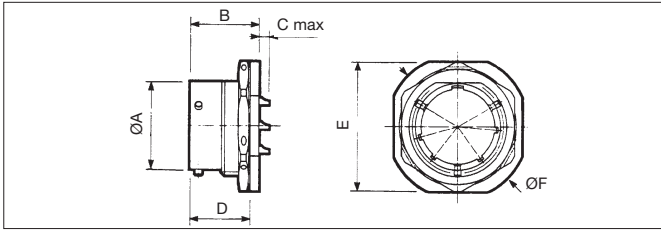


shell size	A Max	B Max	C		D Max	E Max	F Max	G	H	J	K Max	L Max
			# 20	# 12 # 16								
08	12.05 .474	19.8 .780	4.5 .177	- ###	15.05 .593	1.95 .077	21 .827	15.1 .594	15.55 .612	3.15 .124	3.2 .126	3 .118
10	15 .591	19.8 .780	4.5 .177	- ###	15.05 .593	1.95 .077	24.2 .953	18.26 .719	18.8 .740	3.15 .124	3.2 .126	3 .118
12	19.05 .750	19.8 .780	4.5 .177	6.3 .248	15.05 .593	1.95 .077	26.55 1.045	20.62 .812	22.15 .872	3.15 .124	3.2 .126	3 .118
14	22.25 .876	19.8 .780	4.5 .177	6.3 .248	15.05 .593	1.95 .077	28.95 1.140	23.01 .906	25.3 .996	3.15 .124	3.2 .126	3 .118
16	25.4 1.000	19.8 .780	4.5 .177	6.3 .248	15.05 .593	1.95 .077	31.3 1.232	24.61 .969	28.45 1.120	3.15 .124	3.2 .126	3 .118
18	28.6 1.126	19.8 .780	4.5 .177	6.3 .248	15.05 .593	1.95 .077	33.7 1.327	26.97 1.062	31.65 1.246	3.15 .124	3.2 .126	3 .118
20	31.75 1.250	20.95 .825	4.6 .181	6.3 .248	16.6 .654	2.4 .094	36.9 1.453	29.36 1.156	34.8 1.370	3.15 .124	3.2 .126	5.4 .213
22	34.95 1.376	21.8 .858	3.7 .146	5.55 .219	16.6 .654	2.4 .094	40.1 1.579	31.75 1.250	38 1.496	3.15 .124	3.2 .126	5.4 .213
24	38.1 1.500	21.8 .858	3.7 .146	5.55 .219	16.6 .654	2.4 .094	43.25 1.703	34.92 1.375	41.2 1.622	3.3 .130	3.2 .126	5.4 .213

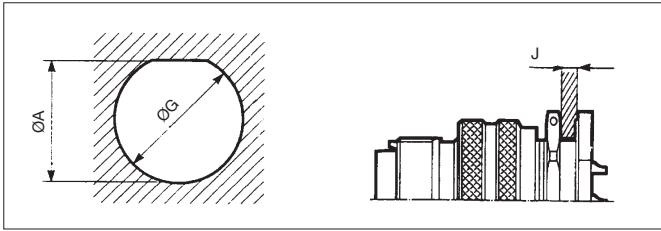
8526 Series



Jam nut receptacle - 7 H type

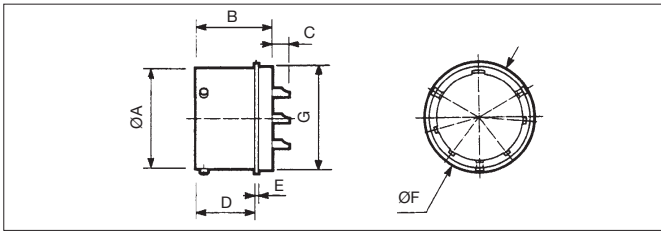


panel cut-out

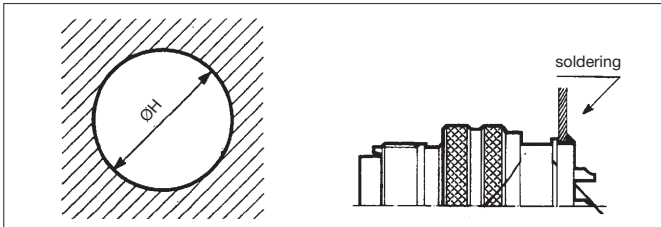


shell size	A	B	C		D	E	F	G	H	J	
	Max	Max	# 20	# 12 # 16	Max	Max	Max			min	Max
08	12.05	20.73	3.4	-	17.95	24.2	27.34	14.6	13.75	1.57	4.75
	.474	.816	.134	-	.707	.953	1.076	.575	.541	.062	.187
10	15	20.73	3.4	-	17.95	27.34	30.52	17.75	16.95	1.57	4.75
	.591	.816	.134	-	.707	1.076	1.202	.699	.667	.062	.187
12	19.05	20.73	3.4	5.2	17.95	32.12	35.29	22.5	21.5	1.57	4.75
	.750	.816	.134	.205	.707	1.265	1.389	.886	.846	.062	.187
14	22.25	20.73	3.4	5.2	17.95	35.29	38.47	25.7	24.2	1.57	4.75
	.876	.816	.134	.205	.707	1.639	1.765	1.012	.953	.062	.187
16	25.4	20.73	3.4	5.2	17.95	38.47	41.64	28.85	27.35	1.57	4.75
	1.000	.816	.134	.205	.707	1.515	1.639	1.136	1.077	.062	.187
18	28.6	20.73	3.4	5.2	17.95	41.64	44.82	32.05	30.55	1.57	4.75
	1.126	.816	.134	.205	.707	1.639	1.765	1.262	1.203	.062	.187
20	31.75	23.08	2.8	4.5	19.5	46.39	49.59	35.2	33.7	1.57	6.35
	1.250	.909	.110	.177	.768	1.826	1.952	1.386	1.327	.062	.250
22	34.95	23.08	2.8	4.5	19.5	49.59	52.74	38.4	36.9	1.57	6.35
	1.376	.909	.110	.177	.768	1.952	2.076	1.512	1.453	.062	.250
24	38.1	23.83	2	3.8	20.15	52.74	55.92	41.55	40.05	1.57	5.55
	1.500	.938	.079	.150	.793	2.076	2.202	1.636	1.577	.062	.219

Hermetic solder fixing receptacle - 1 H type



panel cut-out



shell size	A	B	C		D	E	F	G	H
	Max	Max	# 20	# 12 # 16	Max	Max	Max	Max	
08	12.05	19.5	4.5	-	15.1	1.1	16.1	14.27	14.48
	.474	.768	.177	-	.594	.043	.634	.562	.570
10	15	19.5	4.5	-	15.1	1.1	19.3	17.06	17.27
	.591	.768	.177	-	.594	.043	.760	.672	.680
12	19.05	19.5	4.5	6.3	15.1	1.1	21.65	19.83	20.04
	.750	.768	.177	.248	.594	.043	.852	.781	.789
14	22.25	19.5	4.5	6.3	15.1	1.1	24.85	23.01	23.22
	.876	.768	.177	.248	.594	.043	.978	.906	.914
16	25.4	19.5	4.5	6.3	15.1	1.1	28	26.18	26.39
	1.000	.768	.177	.248	.594	.043	1.102	1.031	1.039
18	28.6	19.5	4.5	6.3	15.1	1.1	31.15	29.36	29.57
	1.126	.768	.177	.248	.594	.043	1.226	1.156	1.164
20	31.75	21.1	4.5	6.3	16.7	1.1	33.55	31.74	31.95
	1.250	.831	.177	.248	.657	.043	1.321	1.250	1.258
22	34.95	22	3.7	5.5	16.7	1.1	36.75	34.92	35.13
	1.376	.866	.146	.217	.657	.043	1.447	1.375	1.383
24	38.1	22	3.7	5.5	16.7	1.1	39.95	38.09	38.3
	1.500	.866	.146	.217	.657	.043	1.573	1.500	1.508

Caps

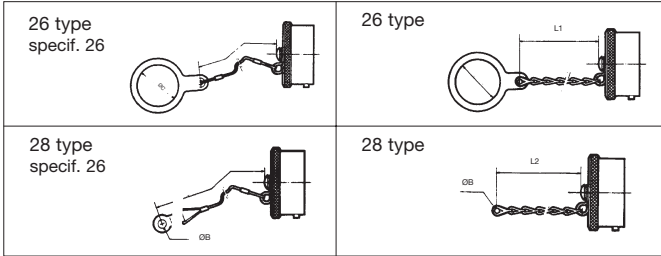
basic series		852	27	G	10	••
caps type	26	- cap for plug (plug fixing)				
	27	- cap for square flange receptacle				
	28	- cap for plug (backshell fixing)				
	29	- cap for jam nut receptacle				
plating	G	- olive green cadmium				
	N	- nickel				
shell size	08-10-12-14-16-18-20-22-24					
specification	- metallic chain : without digit					
	26	- nylon cord				

8526 Series

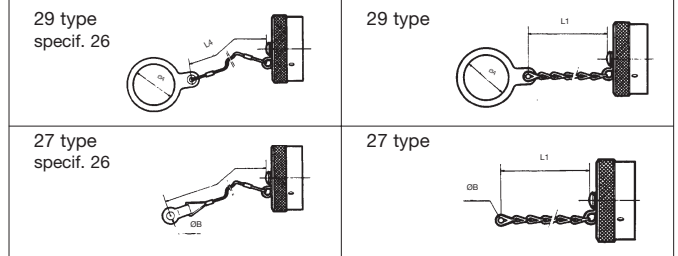


Caps

Caps for plug



Caps for receptacle

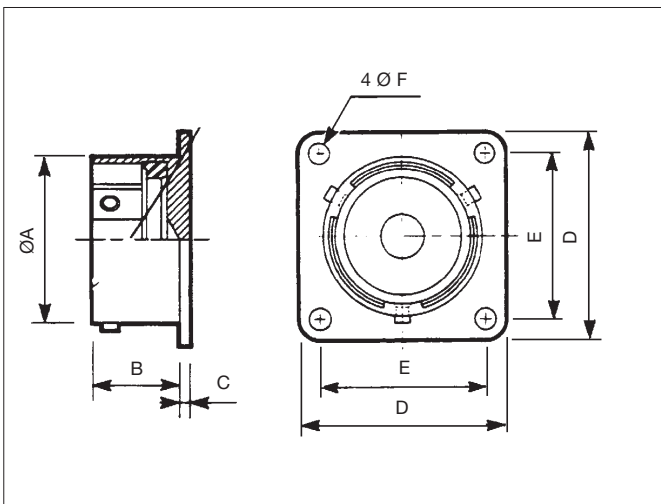


shell size	A Max	B Max	C Max	L1	L2	L3	L4
08	14.8 .583	3.5 .138	14.8 .583	84 3.307	132 5.197	128 5.039	80 3.150
10	17.9 .705	3.5 .138	17.9 .705	84 3.307	132 5.197	128 5.039	80 3.150
12	22.7 .894	3.5 .138	22.7 .894	100 3.937	148 5.827	140 5.512	90 3.543
14	25.9 1.020	3.5 .138	25.9 1.020	100 3.937	148 5.827	140 5.512	90 3.543
16	29 1.142	3.5 .138	29 1.142	10 3.937	148 5.827	140 5.512	90 3.543
18	32.2 1.268	3.5 .138	32.2 1.268	100 3.937	148 5.827	140 5.512	90 3.543
20	35.4 1.394	3.5 .138	35.4 1.394	116 4.567	168 6.614	153 6.024	110 4.331
22	38.6 1.520	3.5 .138	38.6 1.520	116 4.567	168 6.614	153 6.024	110 4.331
24	41.7 1.642	3.5 .138	41.7 1.642	116 4.567	168 6.614	153 6.024	110 4.331

Panel gaskets

shell size	part numbers	
	gaskets square flange receptacle	o ring - jam nut receptacle 07 and 7 H type
08	8525-1431	70617A
10	8525-1432	70618A
12	8525-1433	70619A
14	8525-1434	70620A
16	8525-1435	70621A
18	8525-1436	70622A
20	8525-1437	70623A
22	8525-1438	70624A
24	8525-1439	70625A

Dummy receptacle



shell size	part number		A Max	B Max	C	D Max	E	F
	Olive green	nickel						
08	8526-0708	8526-07N08	12.03 .474	11.7 .461	1.35 .053	21 .827	15.09 .594	3.1 .122
10	8526-0710	8526-07N10	15.01 .591	11.7 .461	1.35 .053	24.2 .953	18.26 .719	3.1 .122
12	8526-0712	8526-07N12	19.07 .751	11.7 .461	1.35 .053	26.55 1.045	20.62 .812	3.1 .122
14	8526-0714	8526-07N14	22.25 .876	11.7 .461	1.35 .053	29 1.142	23.01 .906	3.1 .122
16	8526-0716	8526-07N16	25.42 1.001	11.7 .461	1.35 .053	31.3 1.232	24.61 .969	3.1 .122
18	8526-0718	8526-07N18	28.6 1.126	11.7 .461	1.35 .053	33.7 1.327	26.97 1.062	3.1 .122
20	8526-0720	8526-07N20	31.77 1.251	14.35 .565	2.15 .085	36.9 1.453	29.36 1.156	3.1 .122
22	8526-0722	8526-07N22	34.95 1.376	14.35 .565	2.15 .085	40 1.575	31.75 1.250	3.1 .122
24	8526-0724	8526-07N24	38.12 1.501	15.2 .598	2.15 .085	43.3 1.705	34.92 1.375	3.75 .148

Reusable fixing plates

Two, three or four holes self locking fixing plates are available at SHTP. See page 126